

Data Sheet

Ericsson Cradlepoint W1855

2025 - 04 - 30

Designed for fixed locations that require the higher performance of 5G and the flexibility of wireless, the outdoor Ericsson Cradlepoint W1855-5GC wideband adapter ushers in the latest generation of wireless WAN networking. The W-Series is designed to accommodate the latest spectrums, recent innovations, and breadth of new technologies in 5G while delivering enterprise-class scalability standards, comprehensive management, and security.

High Performance Wideband

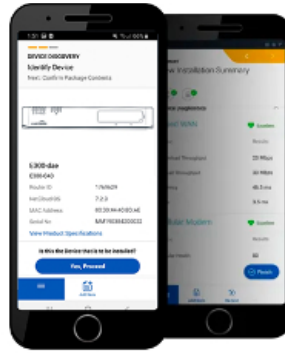
The W1855-5GC adapters are purpose-built for outdoor deployment in the high-performance low-, mid-band 5G spectrum. To address the tradeoff of lower propagation in the mid-band spectrum, Ericsson designed the W1855 Series outdoor adapter to be placed separately from the router for optimal signal reception. The stylized W1855-5GC adapter is less than half the size of the previous outdoor 5G adapter which makes installation easier.

Designed for Enterprise- Class Business

While the performance of 5G is top of mind, the W-Series was also designed with enterprise-class standards for high scalability, comprehensive management, and security. Representing the latest available 5G standards which are a collection of spectrum, technologies, and network infrastructure enhancements, the Ericsson Enterprise Wireless 5G edge networking service and endpoints accommodate the diverse deployments of an organization with hundreds or even tens of thousands of sites.

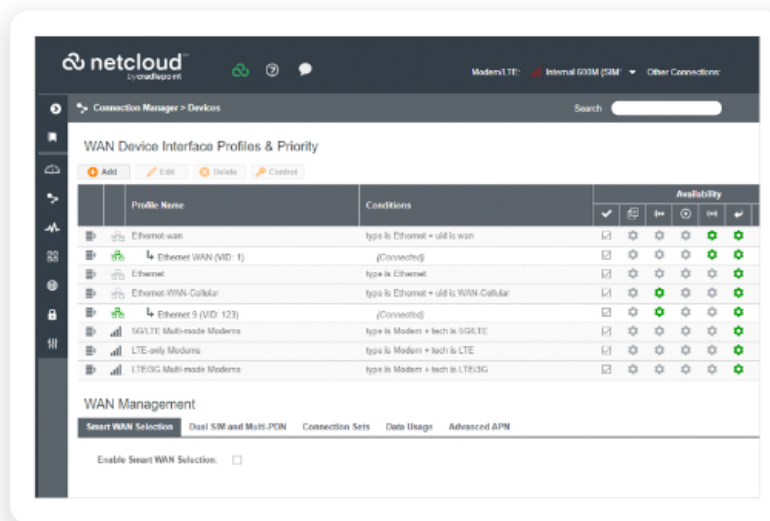
Notable Benefits

- Increase the size and types of your WAN use cases with 5G performance
- Experience the dependability of dual connectivity with simultaneous 5G and 4G connections
- Gain carrier-class connectivity using a software-defined modem and integrated multilevel test and recovery utilities
- Deploy an enterprise-class 5G solution with greater simplicity and confidence with the wizard-based installation application
- Manage the Ericsson Cradlepoint router and 5G adapter as one entity for singular control and visibility with captive modem
- Evaluate the benefits of your 5G service with value confirmation tools built into the Ericsson NetCloud platform
- Deploy within any existing networking or SD-WAN environment



Complete Lifecycle Management

Ericsson Enterprise Wireless 5G solutions help enterprises minimize complexity from installation to troubleshooting with tools and features such as the mobile installation application, the captive modem feature, 5G tools demonstrate 5G service value, and Out-of-Band Management.



Intelligent Hybrid WAN Connectivity

Ericsson Enterprise Wireless 5G solutions deliver effortless wireless endpoint management in a “wired-first SD-WAN” environment and provides all-in-one capabilities (routing, embedded wireless, and foundational SD-WAN) in a “wireless-first SD-WAN” deployment.

| | |
|---------------------------------------|---|
| Wind/Lightning: | <ul style="list-style-type: none"> — 135 MPH sustained wind rating — ITU-T K.21 lightning protection |
| Electromagnetic Compatibility: | <ul style="list-style-type: none"> — EN 61000-4-2 level 2 contact discharge, level 3 air discharge — EN 61000-4-3 level 2 — EN 61000-4-4 level 2 — EN 61000-4-5 level 4 — EN 61000-4-6 level 2 — Radiated Emissions/Conducted Emissions Class B |
| POWER | |
| Required: | <p>PoE+</p> <ul style="list-style-type: none"> — PoE power injector included — 802.3at PSE Type 2 (30 W) |
| Consumption: | 802.3at Class 4 PD (30 W) |
| PHYSICAL | |
| Size: | 204 x 165 x 56 mm (8.03 x 6.5 x 2.2 in) |
| Weight: | 1.3 kg (2 lb 13.8 oz) |
| RELIABILITY | |
| Calculated MTBF: | 376,671 hours (Telcordia SR332 at 25 °C) |
| CERTIFICATIONS | |
| Safety: | <ul style="list-style-type: none"> — UL/cUL — CB Scheme — EN 60950-22 — EN 62368-1 |
| Environmental Compliance: | <ul style="list-style-type: none"> — WEEE — RoHS — REACH — California Prop 65 |
| CLOUD SERVICES | |
| Service Plans: | Ericsson NetCloud Service for Branch 5G Adapter |
| Service Add-Ons: | NetCloud Exchange, Ericsson NetCloud Advanced |
| Support: | Ericsson NetCloud packages include support for the full subscription term. |
| Warranty: | All Ericsson Cradlepoint hardware products are covered by a limited lifetime warranty for as long as they have a subscription license to an active Ericsson NetCloud Service plan. |
| Device Management: | NetCloud Manager for the full subscription term. |
| Software Updates: | NetCloud Manager for the full subscription term. |
| PERFORMANCE | |
| IP Passthrough Mode: | 2.0 Gbps |
| Standard NAT Mode: | 2.0 Gbps |

| | |
|--|----------|
| Captive Modem Mode: | 2.0 Gbps |
| LEDs | |
| See the W1855 Series 5G Wideband Adapter Quick Start Guide . | |

Performance testing was conducted based on requirements as defined in RFC2544 using fixed-frame 1518-byte packets. Throughput results reflect uni-directional UDP traffic with less than 1% packet loss as tested with wired connections. Results do not reflect performance of the cellular wireless operator networks.

Enterprise-Class Modem Specifications

| SPECIFICATION | |
|-----------------------------|--|
| Technology: | 5G FR1 NSA/SA <ul style="list-style-type: none"> — LTE Advanced Pro Category 19 fallback — Dual SIM slots, 4FF form factor — 3GPP Release 16 |
| 3G: | WCDMA/HSPA+ |
| Carrier Aggregation: | LTE Only <ul style="list-style-type: none"> — Downlink: Up to 5CA — Uplink: Up to 2CA LTE + 5G NR ENDC <ul style="list-style-type: none"> — Downlink: Up to 4CA (LTE) + Up to 1CA (5G NR) — Uplink: Up to 2CA (LTE) + Up to 2CA (5G NR) 5G NR Only <ul style="list-style-type: none"> — Downlink: Up to 2CA — Uplink: 1CA See Understanding Carrier Aggregation . |
| Peak Rates: | NSA <ul style="list-style-type: none"> — Downlink: Up to 3.4 Gbps — Uplink: Up to 550 Mbps SA <ul style="list-style-type: none"> — Downlink: Up to 2.4 Gbps — Uplink: Up to 450 Mbps LTE <ul style="list-style-type: none"> — Downlink: Up to 1.6 Gbps — Uplink: Up to 200 Mbps |
| MIMO: | 4x4 MIMO |

| | |
|---------------------------------------|---|
| Modulation: | 5GC FR1 <ul style="list-style-type: none"> — Downlink: Up to 256 QAM — Uplink: Up to 256 QAM |
| 4G/LTE Bands: | FDD <ul style="list-style-type: none"> — B1 (2100)[†], B2 (1900), B3 (1800)[†], B4 (1700), B5 (850), B7 (2600)[†], B8 (900)[†], B12 (700), B13 (700), B14 (700), B17 (700), B18 (850), B19 (850), B20 (800), B25 (1900), B26 (850), B28 (700)[†], B29 (700), B30 (2300), B32 (1500), B66 (1700), B71 (600) <p>TDD</p> <ul style="list-style-type: none"> — B34 (2000), B38 (2600)[†], B39 (1900), B40 (2300), B41 (2500)[†], B42 (3500), B43 (3700), B46 (5200), B48 (3500) |
| 5G NR Bands: | NSA and SA <ul style="list-style-type: none"> — n1 (2100), n2 (1900), n3 (1800), n5 (850), n7 (2600), n8 (900), n12 (700), n13 (700), n14 (700), n18 (850), n20 (800), n25 (1900), n26 (850), n28 (700), n29 (700), n30 (2300), n38 (2600), n40 (2300), n41 (2500), n48 (3500), n66 (1700/2100), n70 (2000), n71 (600), n75 (1500), n76 (1500), n77 (3700), n78 (3500)[†], n79 (4900)[†] |
| 3G Bands^{††}: | B1, B2, B4, B5, B8, B19 |
| Power: | LTE <ul style="list-style-type: none"> — LTE bands: 23 dBm ± 2 (typical conducted) — LTE HPUE bands: 26 dBm ± 2 (typical conducted) <p>5G NR</p> <ul style="list-style-type: none"> — 5G NR bands: 23 dBm ± 2 (typical conducted) — 5G NR HPUE bands: 26 dBm ± 2 (typical conducted) |
| Antennas: | N-type female connectors, external 600 MHz - 6 GHz cellular antennas (Qty 4, included) |
| GNSS: | Passive GNSS <ul style="list-style-type: none"> — GPS, GLONASS, BeiDou, Galileo |
| SMS: | Yes |
| Regulatory: | <ul style="list-style-type: none"> — FCC (U.S.) — IC (Canada) — UK CA (UK) — RCM (AU/NZ) |
| Network Operator | — PTCRB (U.S., Canada) |
| Standards: | — GCF (Worldwide) |
| GCF Global Operators: | https://www.globalcertificationforum.org/membership/gcf-members.html ^{†††} |
| PTCRB North America Operators: | https://www.ptcrb.com/about/ |

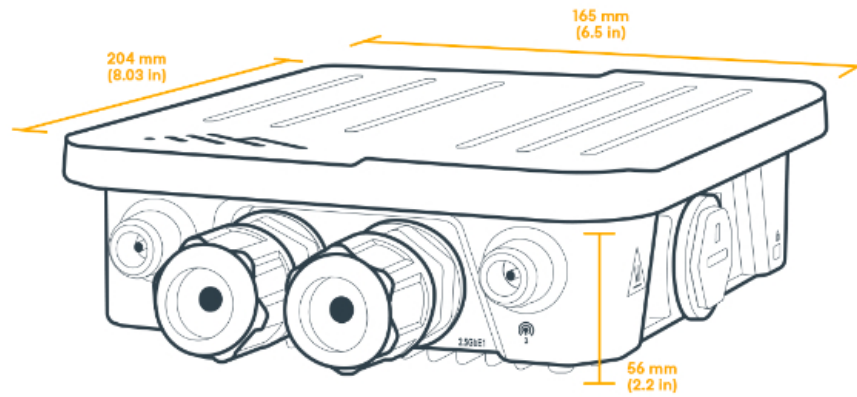
| | |
|------------------------------|---|
| Network Operator | — AT&T |
| Certifications: | — T-Mobile — Verizon+++ |
| Public Safety Network | — FirstNet Trusted™ — T-Mobile Connecting Heroes |
| Certifications: | — Verizon Frontline Verified |
| Private LTE: | Yes, includes FCC Part 96 (CBRS Band 48) |

†Designated bands used in Taiwan.

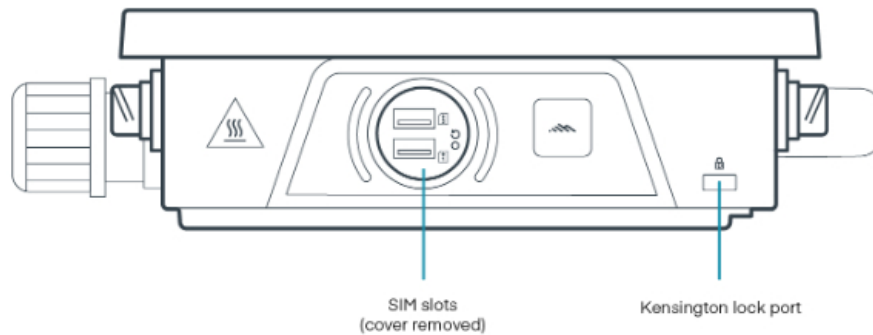
††3G Bands are not used in Taiwan.

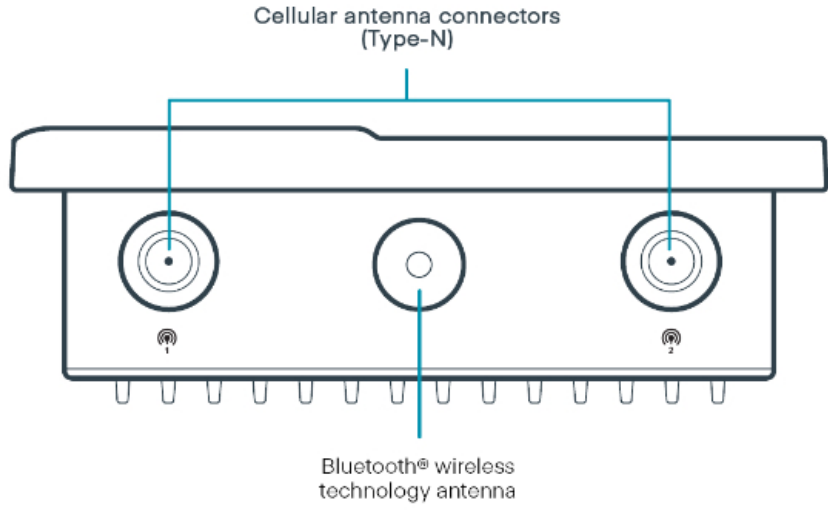
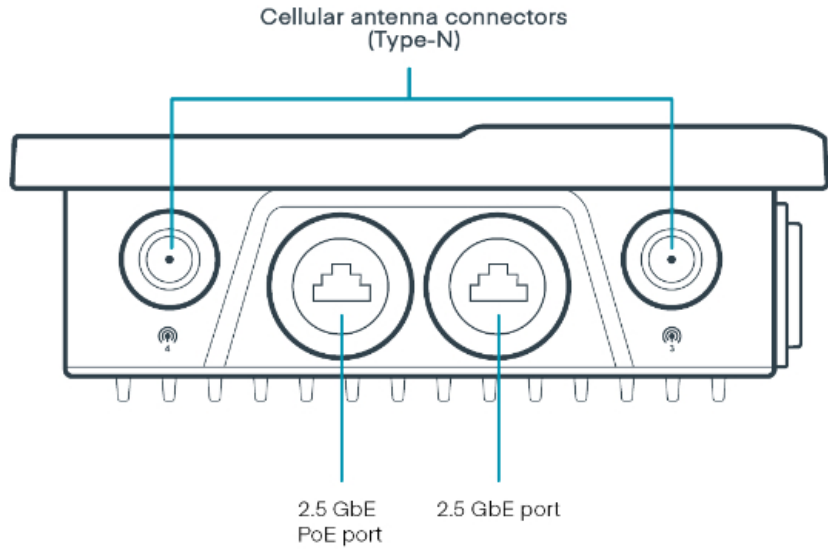
†††Cellular carriers and operators throughout the world may only require telecom industry certifications, like PTCRB or GCF, to operate on their network. Some carriers require additional testing and approval, beyond telecom certifications, to operate on their network. A carrier listed in the approvals section means Cradlepoint completed additional testing and acquired technical approval for that given carrier. Any carrier not listed may not require additional testing or approval beyond telecom industry certifications to operate on their network.

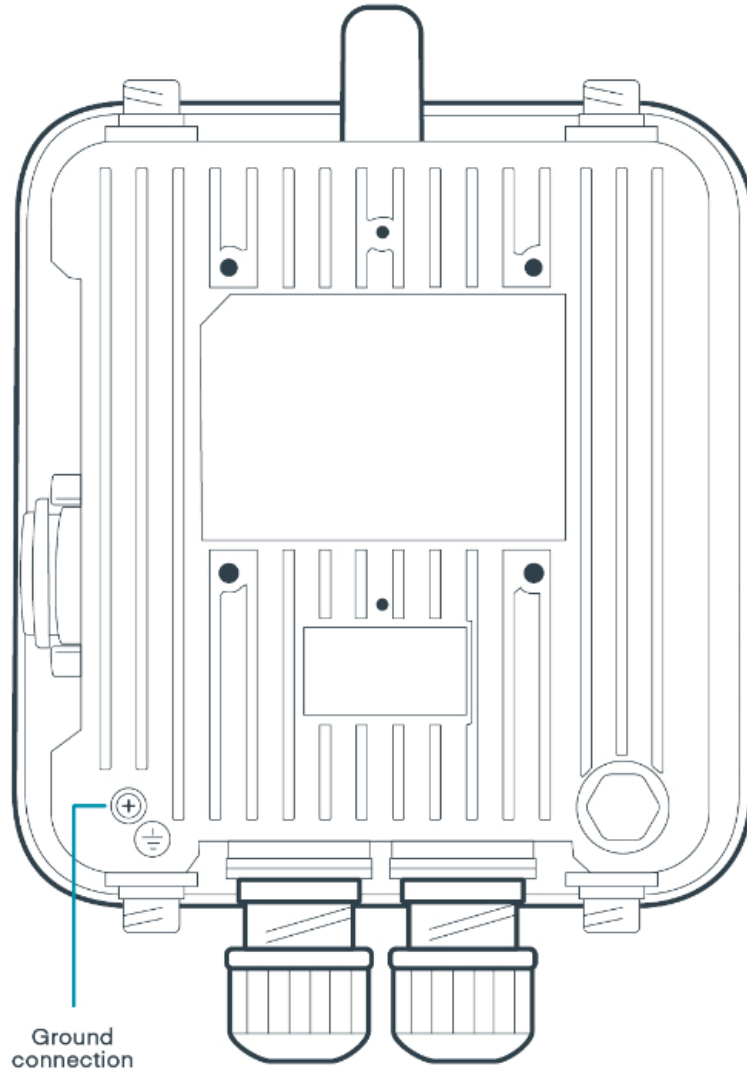
Physical Measurements & Features



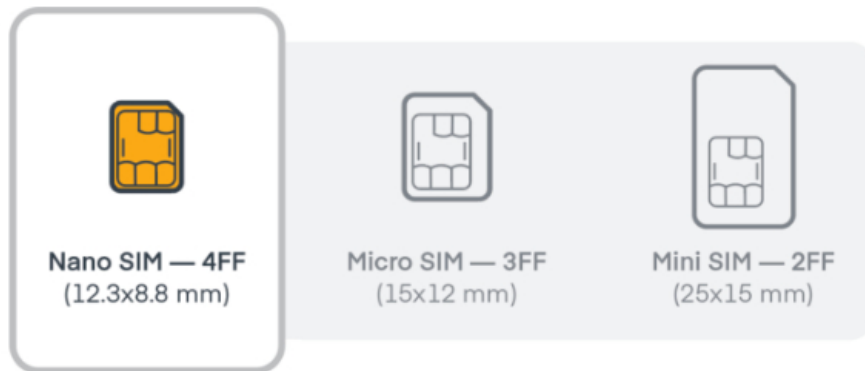
Features







SIM Card Info



Ordering Guide

Ericsson NetCloud Branch 5G Adapter Essentials + Advanced packages and plans full featured for 5G performance and connectivity. Essentials + Advanced packages include 24x7 support (phone support: 24-hour weekdays with emergency response on weekends, web: 24x7, chat: 24x5) and a limited lifetime warranty.

See additional details of what is included in the Essentials + Advanced NetCloud software: cradlepoint.com/netcloud-service

Ericsson NetCloud Enterprise Branch Packages for the W1855

| REGION | PACKAGE PLAN | PART NUMBER |
|--|--|----------------------|
| North America: U.S. & Canada | Essentials | BE0x-1855-5GC-GN |
| | Essentials + Advanced | BEAx-1855-5GC-GN |
| U.S. Federal Government | TAA Compliant NC — Essentials + Advanced | TAA-BEAy-1855-5GC-GN |
| Europe: European Union | Essentials | BE0x-1855-5GC-GE |
| | Essentials + Advanced | BEAx-1855-5GC-GE |
| Europe: United Kingdom | Essentials | BE0x-1855-5GC-GU |
| | Essentials + Advanced | BEAx-1855-5GC-GU |
| Africa: South Africa | Essentials | BE0x-1855-5GC-GZ |
| | Essentials + Advanced | BEAx-1855-5GC-GZ |
| Asia Pacific: Australia, Singapore, and New Zealand | Essentials | BE0x-1855-5GC-GP |
| | Essentials + Advanced | BEAx-1855-5GC-GP |
| Asia Pacific: Taiwan | Essentials | BE0x-1855-5GC-TW |
| | Essentials + Advanced | BEAx-1855-5GC-TW |
| All Regions | Advanced Upgrade (requires Essential) | BE0x-NCADV |
| | Renewal — Essentials | BE0x-NCESS-R |
| | Renewal — Advanced | BE0x-NCADV-R |
| | Renewal — Essentials + Advanced | BEAx-NCEA-R |

x = 1, 3, or 5 years

y = 3 or 5 years

Accessories

| INCLUDED | PART NUMBER |
|----------------------------------|-------------|
| W1855 Series 5G Wideband Adapter | |

| | |
|--|------------|
| One of the following: | |
| — PoE Injector, 30 W, 802.3at with 1.8 meters, NA Type B line cord | 170877-000 |
| — PoE Injector, 30 W, 802.3at with 1.8 meters, EU Type F line cord | 170877-001 |
| — PoE Injector, 30 W, 802.3at with 1.8 meters, UK Type G line cord | 170877-002 |
| — PoE Injector, 30 W, 802.3at with 1.8 meters, AU Type I line cord | 170877-003 |
| — PoE Injector, 30 W, 802.3at with 1.8 meters, ZA Type M line cord | 170877-004 |
| — PoE Injector, 30 W, 802.3at with 1.8 meters, NA Type B line cord, Taiwan | 170877-005 |
| Cellular antenna, outdoor 5G low/mid-band with N type connector (Qty 4) | N/A |
| Wall/pole mounting bracket | N/A |
| Pole mounting clamp (Qty 2) | N/A |
| Ethernet port plug (Qty 2) | N/A |
| Ethernet cable gland (Qty 2) | N/A |
| Small accessories kit | N/A |
| — Device to bracket screws (Qty 4) | |
| — Wall mount screws (Qty 4) | |
| — Wall anchors (Qty 4) | |
| — Grounding lug | |
| Plate to W1855 mounting screws | N/A |

Support & Warranty

The W-Series Adapters are only sold as components of Branch 5G Adapter Essentials + Advanced Packages.

- NetCloud Packages include support for the full subscription term.
- All Cradlepoint hardware products are covered by a limited lifetime warranty for as long as they have a subscription license to an active NetCloud Service Plan.

More Information

[Find the most up-to-date information at **cradlepoint.com/w1855**](https://www.cradlepoint.com/w1855)