

Data Sheet

Ericsson Cradlepoint RX30

2025 - 01 - 09

The Ericsson Cradlepoint RX30 managed accessories are compact and ruggedized for use with the Ericsson Cradlepoint R1900 5G ruggedized router. They can provide either four additional GbE PoE ports to connect and power additional Ethernet connected devices or a modem expansion slot and four additional standard GbE ports for carrier diversity and the ability to add additional connected devices.



[RX30-MC Product Page](#)



[RX30-PoE Product Page](#)



[Quick Start Guide](#)

Hardware Specifications

SPECIFICATION	RX30-POE	RX30-MC
Technology:	RX30-PoE Managed Accessory — PoE Switch	RX30-MC Managed Accessory — Modem & Switch
Ethernet:	4 x GbE RJ45 (LAN/WAN switchable)	4 x GbE RJ45 (LAN/WAN switchable)
PoE:	4 x PoE 802.3bt Type 3 (up to 60 W per port) — 60 W total PoE power budget	N/A
Expansion:	<ul style="list-style-type: none"> — 1 x 6-pin GPIO connector — 2x3 Molex micro-fit (3 mm locking type) 	<ul style="list-style-type: none"> — 1 x 6-pin GPIO connector — 2x3 Molex micro-fit (3 mm locking type) — 1 x MC400 Modular Modem slot (Peak throughput: 300 Mbps)
ENVIRONMENTAL		

Temperature:	<ul style="list-style-type: none"> — Operating: -30 °C to 70 °C (-22 °F to 158 °F) — Storage: -40 °C to 85 °C (-40 °F to 185 °F) 	<ul style="list-style-type: none"> — Operating: -30 °C to 70 °C (-22 °F to 158 °F) — Storage: -40 °C to 85 °C (-40 °F to 185 °F)
Humidity:	<ul style="list-style-type: none"> — Operating: 10% to 90% — Storage: 5% to 95% 	<ul style="list-style-type: none"> — Operating: 10% to 90% — Storage: 5% to 95%
Ingress Protection:	IP64 (dust tight and splashing water)	IP64 (dust tight and splashing water)
POWER		
Required:	<p>DC input steady state voltage range: 9–36 VDC (requires in-line fuse for vehicle installations)</p> <ul style="list-style-type: none"> — For 9–24 VDC installations, use a 10 A fuse — For > 24 VDC installations, use a 5 A fuse — Connector type: 6-pin (2x3) Molex Micro-fit External Power Connector — Reverse polarity and transient voltage protection per ISO 7637-2 	<p>DC input steady state voltage range: 9–36 VDC (requires in-line fuse for vehicle installations)</p> <ul style="list-style-type: none"> — For 9–24 VDC installations, use a 10 A fuse — For > 24 VDC installations, use a 5 A fuse — Connector type: 6-pin (2x3) Molex Micro-fit External Power Connector — Reverse polarity and transient voltage protection per ISO 7637-2
Consumption:	<p>R1900-5GB + RX30 12 V input, 25 °C (77 °F) ambient temperature</p> <ul style="list-style-type: none"> — Sleep: 0.07 W† — Idle: 14 W† — Typical: 21 W† — Heavy: 23 W† 	<p>R1900-5GB + RX30 12 V input, 25 °C (77 °F) ambient temperature</p> <ul style="list-style-type: none"> — Sleep: 0.07 W — Idle: 21 W — Typical: 27 W — Heavy: 31 W
PHYSICAL		
Weight:	0.84 kg (1 lb 13.5 oz)	0.84 kg (1 lb 13.5 oz)
Size:	173 x 152 x 30 mm (6.81 x 5.98 x 1.18 in)	173 x 152 x 30 mm (6.81 x 5.98 x 1.18 in)
RELIABILITY		
Calculated MTBF:	1,231,708 hours (Telcordia SR332 at 25 °C)	2,697,409 hours (Telcordia SR332 at 25 °C)
CERTIFICATIONS		
Safety:	<ul style="list-style-type: none"> — UL/cUL — CB Scheme — EN 60950-1 — EN 62368-1 	<ul style="list-style-type: none"> — UL/cUL — CB Scheme — EN 60950-1 — EN 62368-1
Vehicle:	E-Mark	E-Mark
Rail:	<ul style="list-style-type: none"> — EN 50121-3-2 (Power Surge 0.5 & 1 kV Criteria A; 1.5 kV Criteria C) — EN 50155 Class S1 	<ul style="list-style-type: none"> — EN 50121-3-2 (Power Surge 0.5 & 1 kV Criteria A; 1.5 kV Criteria C) — EN 50155 Class S1

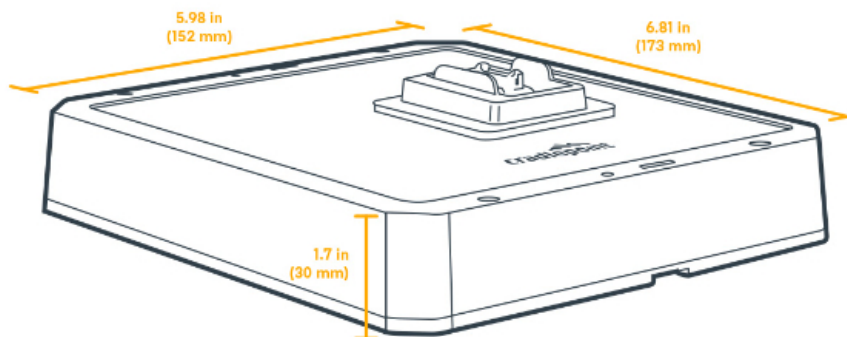
Materials:	— WEEE	— WEEE
	— RoHS	— RoHS
	— REACH	— REACH
	— California Prop 65	— California Prop 65
Shock/Vibration/Humidity:	— MIL STD 810G	— MIL STD 810G
	— SAE J1455	— SAE J1455
COMPATIBILITY		
Supported Routers:	Ericsson Cradlepoint R1900	Ericsson Cradlepoint R1900

Refer to the [RX30 Managed Accessory Quick Start Guide](#).

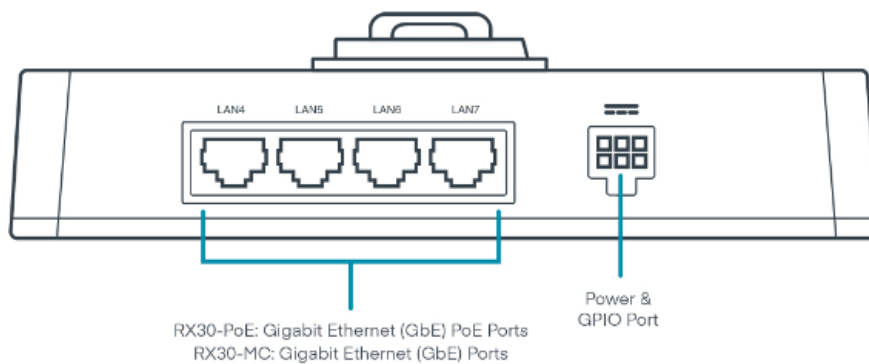
†Numbers shown are the minimum PoE power draw at each load but can go up an additional 60 W based on the attached PoE devices.

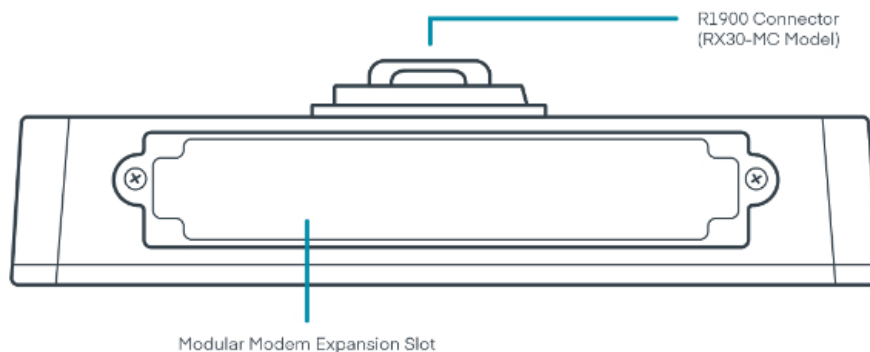
Physical Measurements

RX30-MC & RX30-PoE Models



Features





Ordering Guide

The Ericsson Cradlepoint RX30 managed accessories are designed for the Ericsson Cradlepoint R1900 router. Activation and use of the RX30-MC or RX30-PoE requires an Ericsson Cradlepoint R1900 router that is licensed to an Ericsson NetCloud service plan. For details on the features available to a licensed Ericsson Cradlepoint router by service plan, refer to the summary on the NetCloud Service webpage and the detail in the [NetCloud Service features](#) document.

NetCloud Packages for the Ericsson Cradlepoint RX30

REGION		PART NUMBER
All Regions:	RX30 Managed Accessory — PoE Switch	MB-RX30-POE
	RX30 Managed Accessory — Modem & Switch	MB-RX30-MC

Accessories

INCLUDED	PART NUMBER
Ericsson Cradlepoint RX30	
GPIO & Power Cable, 2x3, 3 meters, 18AWG	170858-000
Small Accessories Kit	N/A
Mounting Template	N/A
OPTIONAL	PART NUMBER
Power Supply, 12V, Small, 2x3 (C13 line cord, not include), -30 °C to 70 °C	170870-000
Rail Safe GPIO Cable, Small 2x3, Black, 3 meters, 18AWG	170872-000

Support & Warranty

The Ericsson Cradlepoint RX30-PoE and RX30-MC are sold only as optional accessories. All Cradlepoint hardware products are covered by a limited lifetime warranty for as long as they have a subscription license to an active Ericsson NetCloud Service plan.

Find the most up-to-date information at cradlepoint.com/rx30-poe and cradlepoint.com/rx30-mc.