


Low Profile Antenna

-  TETRA 800MHz
-  Public Safety
-  Omni Directional
-  ROHS Compliant
-  Vehicle Mount

LPL-S5

- Rugged design
- Heavy duty application
- Integrated GPS antenna

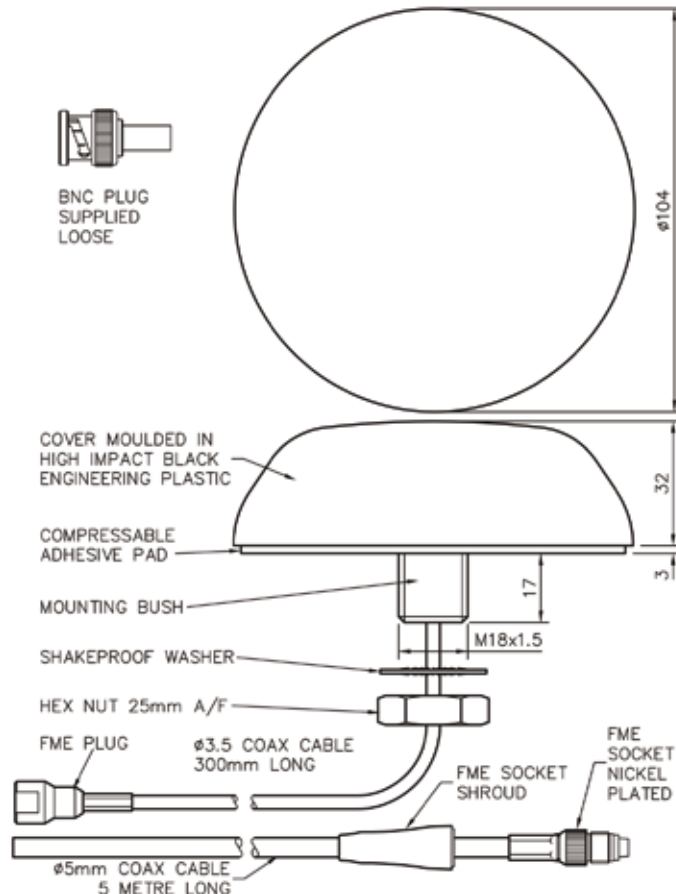


The Panorama low profile antenna range has been designed to perform under extreme pressure. The outer housing is designed to withstand high impacts while maintaining its functionality. The LGL-S5 has the added bonus of an active 26dB GPS element built into each antenna.

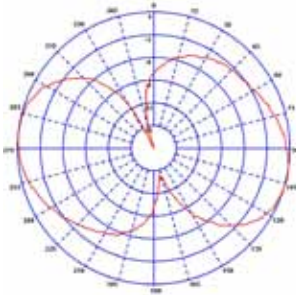
The antennas do not require a metallic ground plane, and maintain the same great performance when mounted on any surface.

The LGL-S5 antenna is also available without GPS, simply by exchanging the 'G' for a 'P' in the part number.

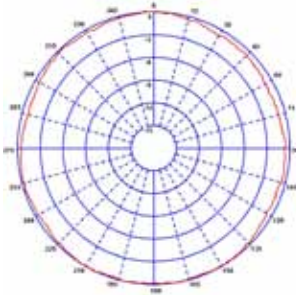
Technical Drawing



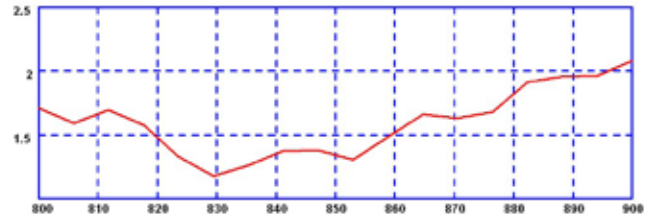
E-Plane (840MHz)



H-Plane (840MHz)



Typical VSWR



Part No.		LPL-S5-5BL
Electrical Data		
Frequency Range (MHz)	806-870	
Operational Band	S5	
Gain: Isotropic	0dBi	
Compared to ¼ wave	-2dB	
VSWR	2:1	
Polarisation	Vertical	
Pattern	Omni-directional	
Impedance	50Ω	
Max Input Power (W)	20	
Mechanical Data		
Dimensions (mm)	Height	104
	Diameter	32
Operating Temp (°C)	-40° / +80°C	
Material	Engineering plastic	
Colour	Black	
Mounting Data		
Fixing	Panel mount	
Hole Size (mm)	Length	17
	Diameter	18
Cable Data		
Type	C35	
Thickness (mm)	3.5	
Length (m)	0.5 (with 5m extension cable)	
Termination	FME plug (Bare end with loose BNC plug for extension cable)*	

*Connector Configurations	
BNC (loose)	LPL-S5-5BL
TNC (loose)	LPL-S5-5TL
FME (fitted)	LPL-S5-5F
Bare End	LPL-S5-5