

UHF 1/2 Wave Antenna

MUG-NMO

08/07/2016 v1



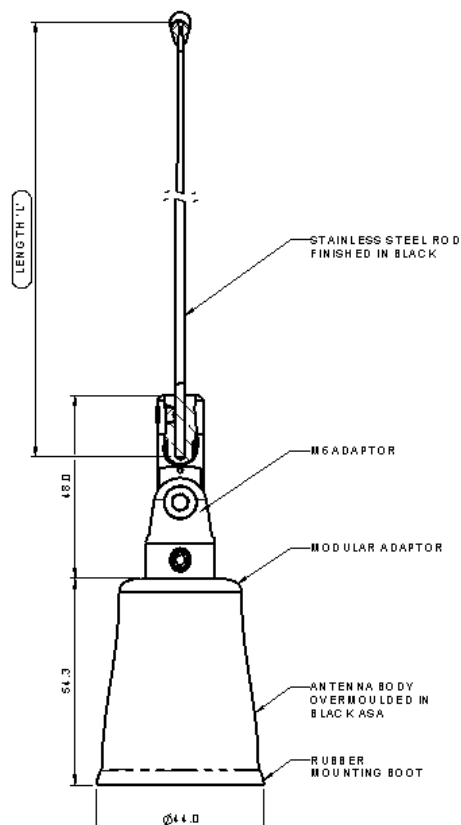
- UHF Gain Antenna
- Suitable for NMO Mounts
- Works without a ground plane

The MUG-NMO is a 1/2 wave UHF antenna offering performance on or off a ground plane across various UHF frequencies with a peak gain of 4dBi.

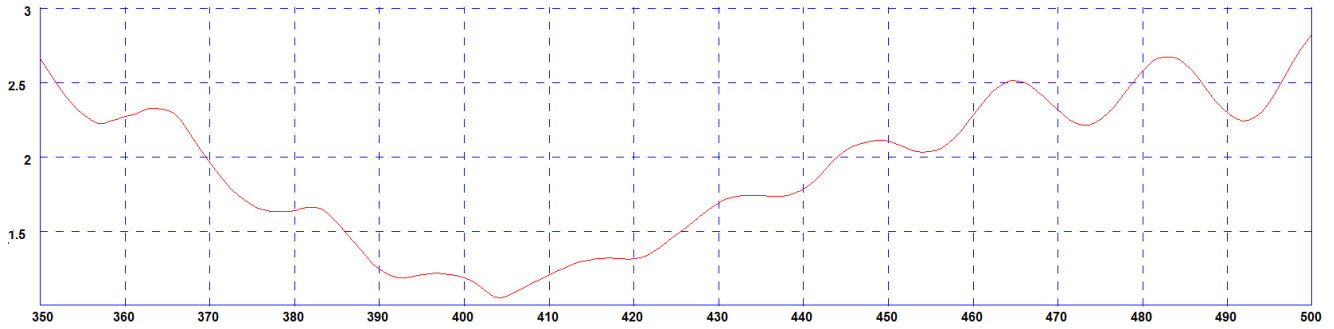
The lack of requirement for a ground plane makes this product attractive for mobile applications with non-conductive panels, such as ambulances, fire trucks and trailers.

The antenna features a coil housing moulded over in durable plastic and a flexible 17-7PH stainless steel whip mounted on a hinge which can be collapsed for low clearance scenarios.

Technical Drawing



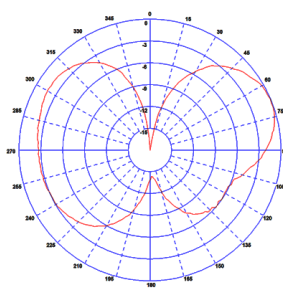
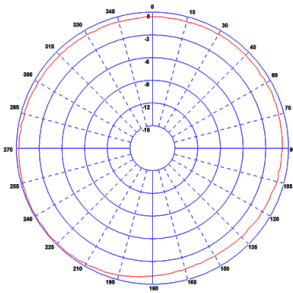
Typical VSWR



*measured with 5m (16') CS23 cable in free space.

Typical H-Plane (400MHz)

Typical E-Plane (400MHz)



Part No.		MUG-NMO-TET	MUG-NMO-S4
Electrical Data			
Frequency Range (MHz)		380-430	450-470
Operational Band		TET	S4
Peak Gain: Isotropic		4dBi	
Polarisation		Vertical	
Pattern		Omni-directional	
Impedance		50Ω	
Max Input Power (W)		60	
Mechanical Data			
Dimensions (mm)	Whip Length 'L'	385(15.2")	244 (9.6")
	Base Height	54 (2.12")	
	Base Diameter	44 (1.73")	
Operating Temp (°C)	-30° / +70°C (-22° / 158°F)		
Material	ASA, plated brass & 17-7PH stainless steel		
Colour	Black		
Mounting Data			
Connector	NMO		

Panorama Antennas Ltd
 Frogmore, London, SW18 1HF, United Kingdom
 T: +44 (0)20 8877 4444
 F: +44 (0)20 8877 4477
 E: sales@panorama-antennas.com
 www.panorama-antennas.com



Waiver: The data given above is indicative of the performance of the product/s under particular conditions and does not imply a guarantee of performance. These specifications are subject to change without notice.
 Copyright © Panorama Antennas Ltd. All rights reserved.