

VHF Offset Dipole

ODP-VHF-8BP



VHF Offset Dipole

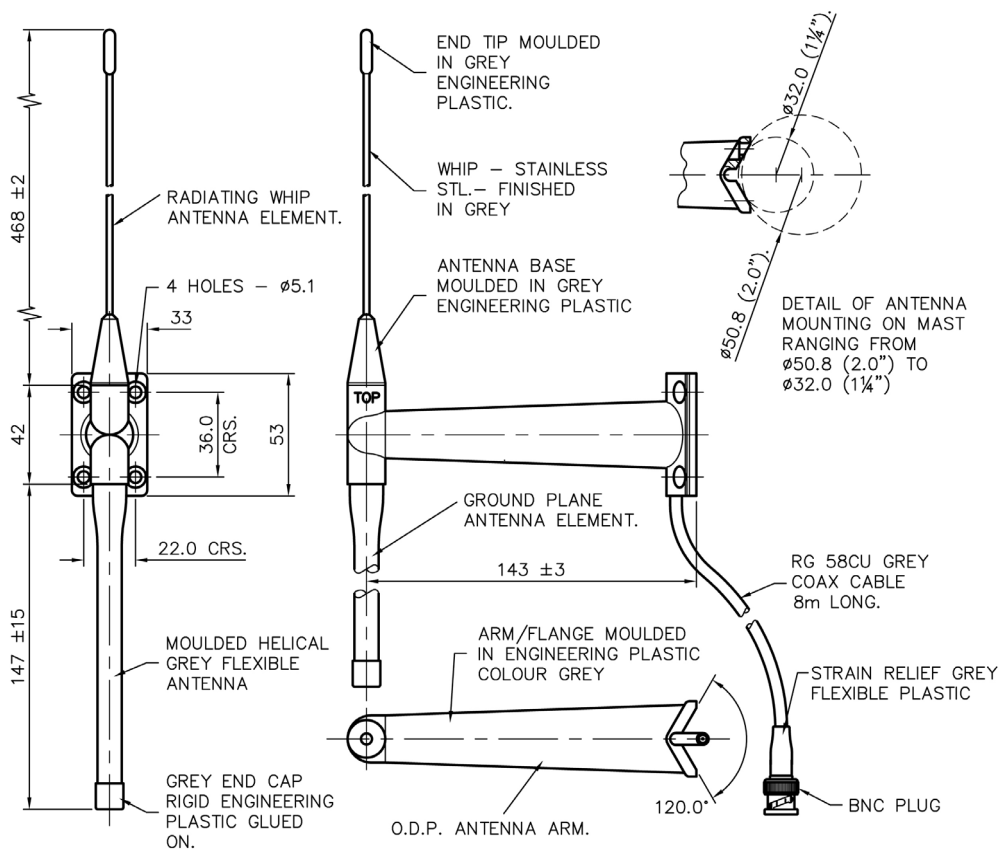
- Ideal for fixed radio terminals
- Easy installation
- Suitable for internal & external use

The ODP is a lightweight remote antenna solution for fixed radio terminals - ideal for network infill or range extension.

With 4 holes for mounting, the ODP is waterproof and can be fitted internally or externally using the wall or mast mount fitment.

Technical Drawing

ODP-JRC-8BP Shown



VHF Offset Dipole

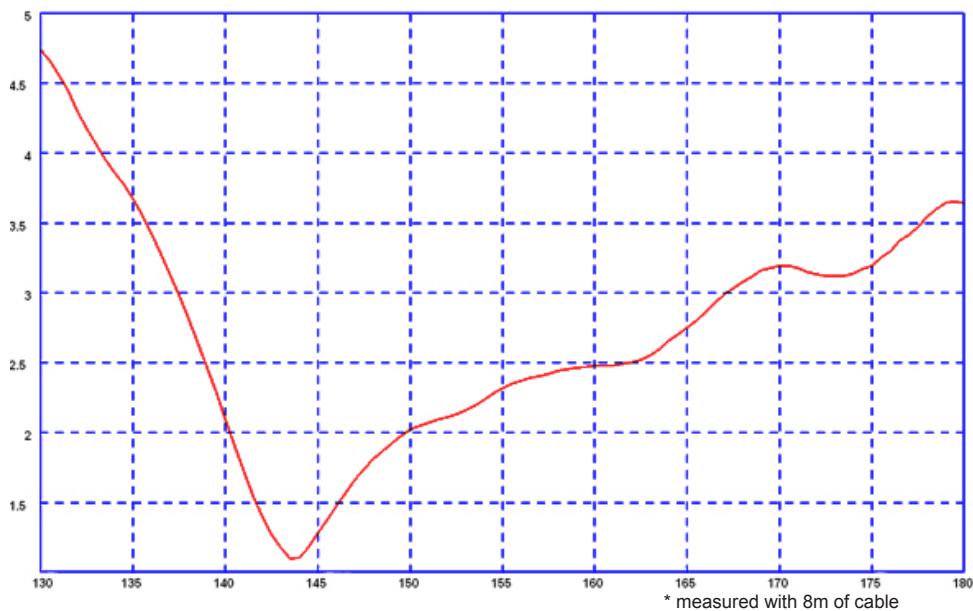
ODP-VHF-8BP

Product Data

Part No.		ODP-H4-8BP	ODP-H5-8BP	ODP-H6-8BP	ODP-H7-8BP	ODP-JRC-8BP
Electrical Data						
Frequency Range (MHz)		139-157	149-159	156-162	162-174	139-157
Operational Band		H4	H5	H6	H7	JRC
Gain: Isotropic				1 dBi		
Compared to ¼ wave				-1 dB		
Typical VSWR				≤ 2.5:1		
Polarisation				Vertical		
Pattern				Omni directional		
Impedance				50Ω		
Max Input Power (W)				25		
Mechanical Data						
Dimensions (mm)	Whip length	473 (18.6")	449 (17.6")	435 (17.1")	412 (16.2")	468 (18.4")
	Helical length	149 (5.86")	140 (5.5")	138 (5.4")	134 (5.2")	147 (5.7")
Off-Set from wall (mm)				143 (5.6")		
Operating Temp (°C)				-40° / +80°C (-40° / 176°F)		
Colour				Grey		
Mast diameter range (mm)				50.8 / 32.0 (2"/1.25")		
Cable Data						
Type				RG 58CU		
Length (m)				8 (26')		
Colour				Grey		
Diameter (mm)				5 (0.2")		
Attenuation				0.15db/m @ 150 MHz		
Termination				BNC Plug		

Electrical Data - Cell

Typical VSWR*



Radiation Patterns

