

Product Data Sheet

High Gain Wall Mount Antenna

TETRA UHF

High Gain Wall Mount Antenna



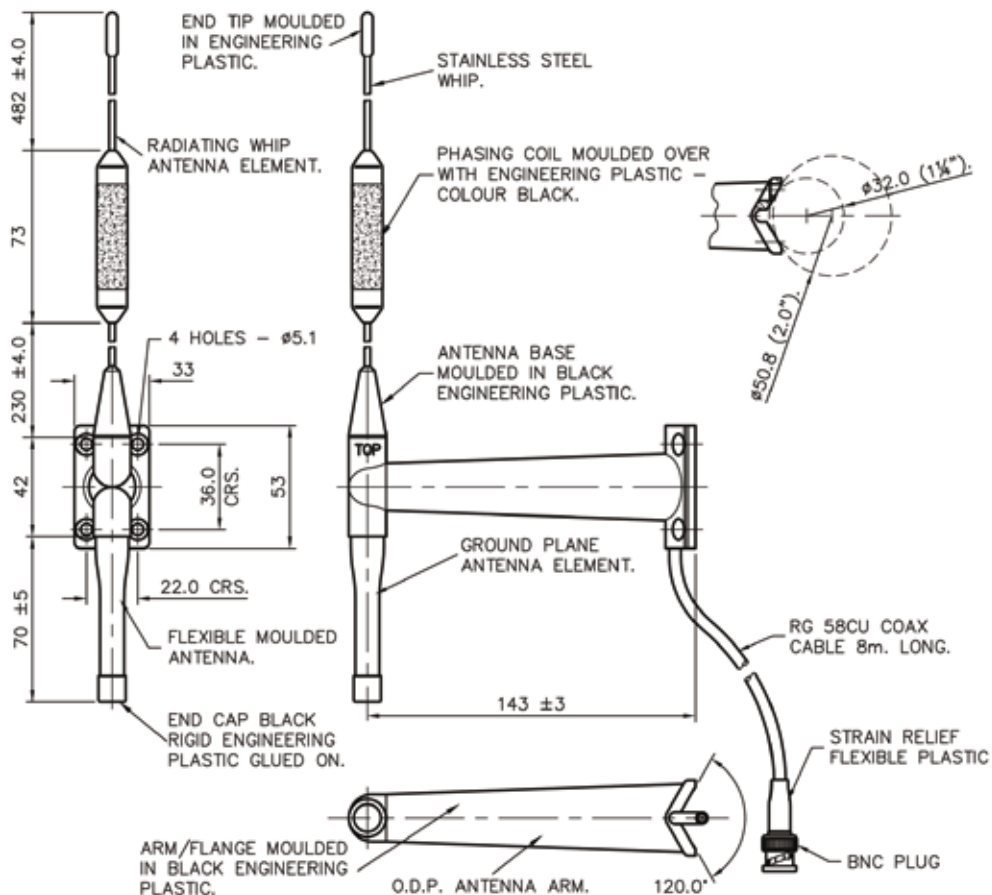
ODP-G

- Improves range
- Easy installation
- Light weight solution

The ODP wall mount antenna range is a simple and cost efficient way of improving the range of a fixed radio terminal.

With 6dBi gain, this antenna is ideal for use in poor signal locations.

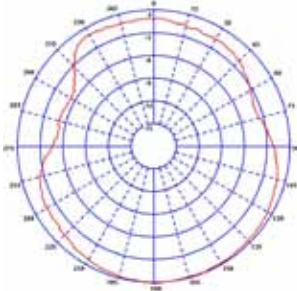
Technical Drawing



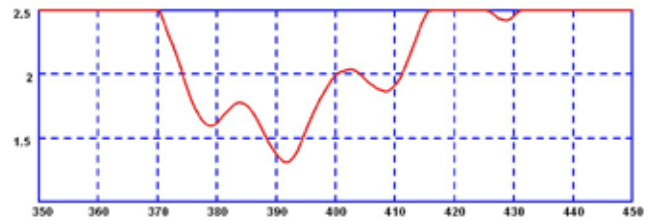
TETRA UHF

High Gain Wall Mount Antenna

H-Plane (390MHz)



Typical VSWR



Part No.			
	ODP-S1G6-8B	ODP-S2G6-8B	
Electrical Data			
Frequency Range (MHz)	380-400	410-430	
Operational Band	S1	S2	
Gain: Isotropic	6dBi	6dBi	
Compared to ¼ wave	4dB	4dB	
Bandwidth @ 2:1 VSWR	8%	8%	
Polarisation	Vertical	Vertical	
Pattern	Omni directional	Omni directional	
Impedance	50Ω	50Ω	
Max Input Power (W)	20	20	
Mechanical Data			
	Total Length	897	803
Dimensions (mm)	'L1' length	785	701
	'L2' length	70	60
Off-Set from wall (mm)	143	143	
Operating Temp (°C)	-40° / +80°C	-40° / +80°C	
Colour	Black	Black	
Mast diameter range (mm)	50.8 / 32.0	50.8 / 32.0	
Cable Data			
Type	RG 58CU	RG 58CU	
Length (m)	8	8	
Colour	Black	Black	
Thickness (mm)	5	5	
Termination	BNC plug	BNC plug	

Panorama Antennas Ltd
Frogmore, London, SW18 1HF, United Kingdom

T: +44 (0)20 8877 4444
F: +44 (0)20 8877 4477

E: sales@panorama-antennas.com
www.panorama-antennas.com

PANORAMA  ANTENNAS