

Temporary Clip Mount Antenna

CD900



CD900

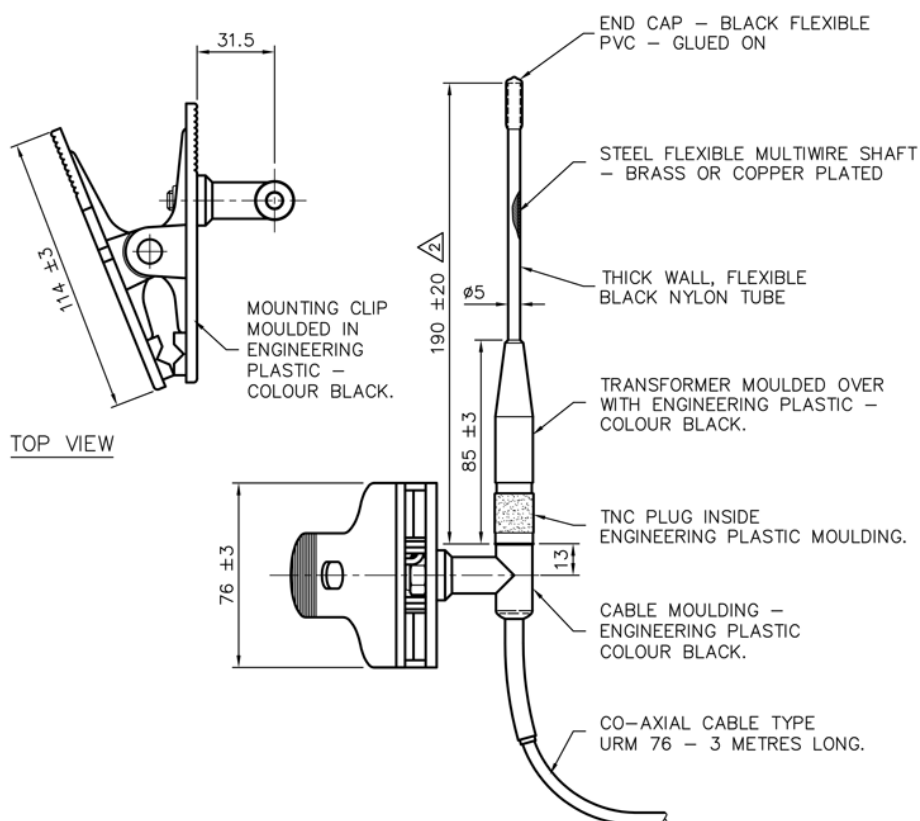
- Rugged construction
- Quick clip installation
- Integrated coaxial cable

The performance and range of portable equipment can often be considerably improved by better positioning of the antenna. Spring clip antennas provide an easy way to do this, providing elevation and clearance from surrounding objects. The combination of better positioning with the performance of an end fed 1/2 wave antenna makes the CD range ideal for temporary and semi permanent applications.

The jaws of the spring clip are moulded in nylon and are fully adjustable for any angle. The antenna is protected from the elements by a weather protective moulding around the coaxial feeder cable.

Technical Drawing

CD900 Shown



Temporary Clip Mount Antenna CD900

Product Data

Part No.

CD900

Electrical Data

Frequency Range (MHz)	870-960MHz
Peak Gain: Isotropic	3dBi
Compared to ¼ wave	1dB
VSWR	<2:1
Polarisation	Vertical
Pattern	Omni-directional
Impedance	50Ω
Max Input Power (W)	5

Mechanical Data

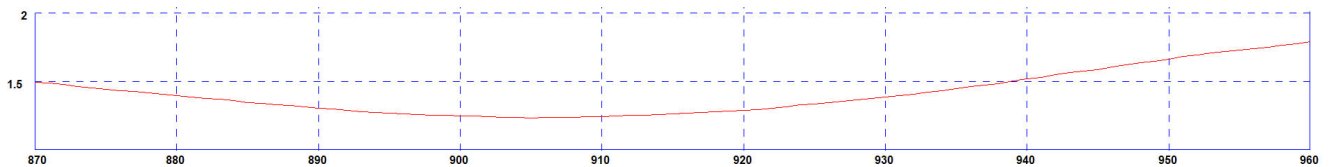
Total length (mm)	200 (7.8")
Operating Temp (°C)	-40° / +80°C (-40° / 176°F)
Colour	Black

Cable Data

Type	CS23
Length (m)	3 (9.8')
Diameter (mm)	5 (0.2")
Termination	Various connectors available

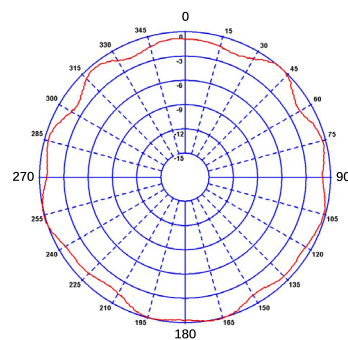
Product Data

Typical VSWR



Product Data

Typical H-Plane (900MHz)



Typical H-Plane (900MHz)

