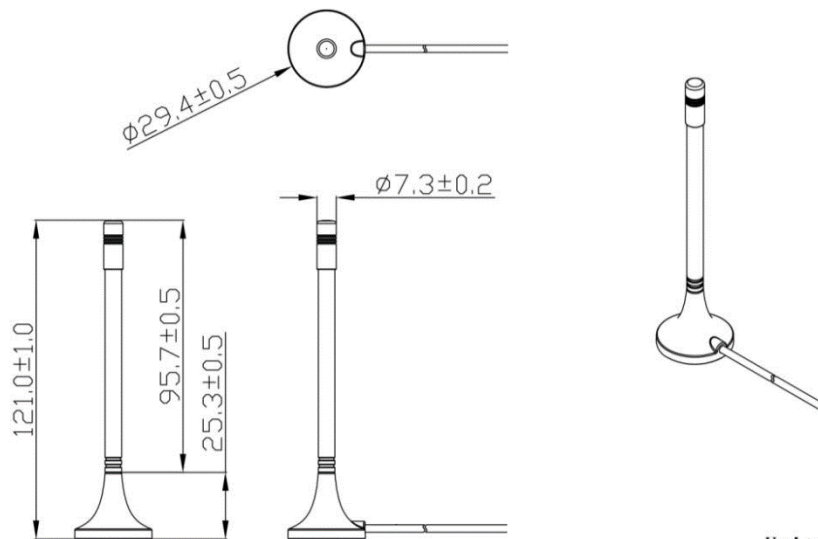


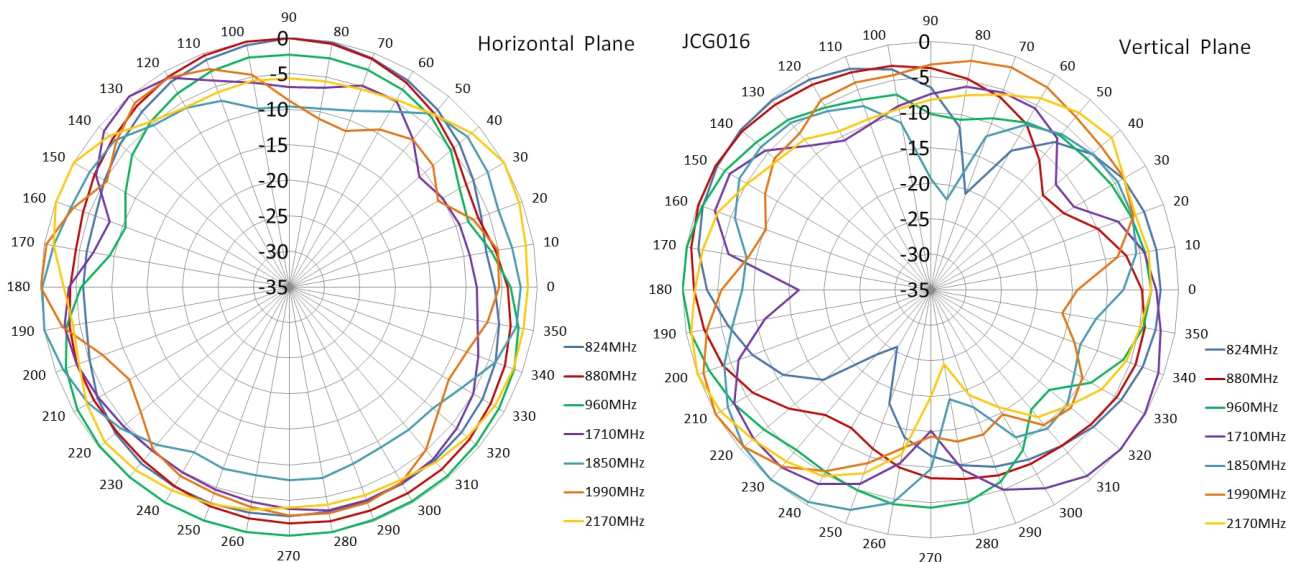
LTE Magnetic Antenna



Specification

Item	Specification	
Antenna	Frequency Range	824~960/1710~2700MHz
	Polarization	Linear
	Gain	3dBi
	VSWR	<2.0
	Impedance	50Ω
Mechanical	Cable	RG174
	Cable Length	300cm
	Connector Type	SMA(m) straight
	Mounting Method	Magnet
Environmental	Operating Temperature	-40°C+85°C
	Relative Humidity	Up to 95%
	Vibration	10to 55Hz with 1.5mm amplitude 2hours
	Environmental Friendly	ROHS Complaint

Radiation pattern



SWR

E5071C Network Analyzer

1 Active Ch/Trace 2 Response 3 Stimulus 4 Mkr/Analysis 5 Instr State

