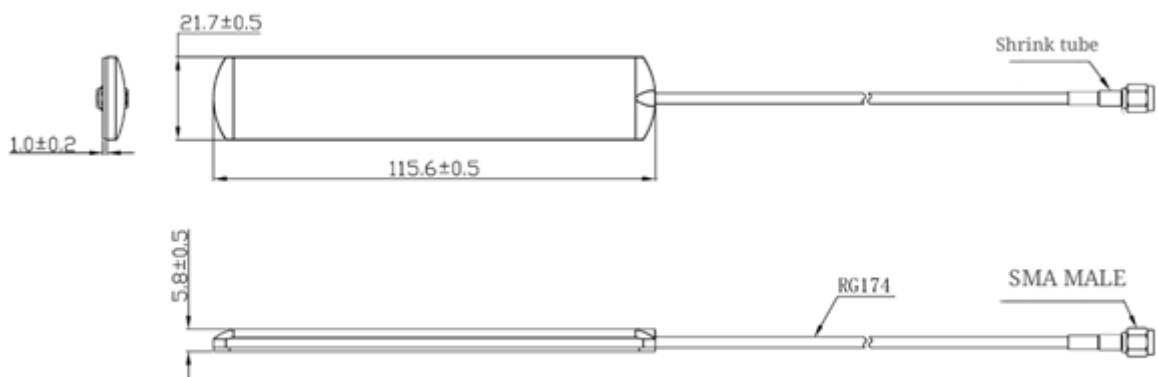


LTE ANTENNA



Unit: mm

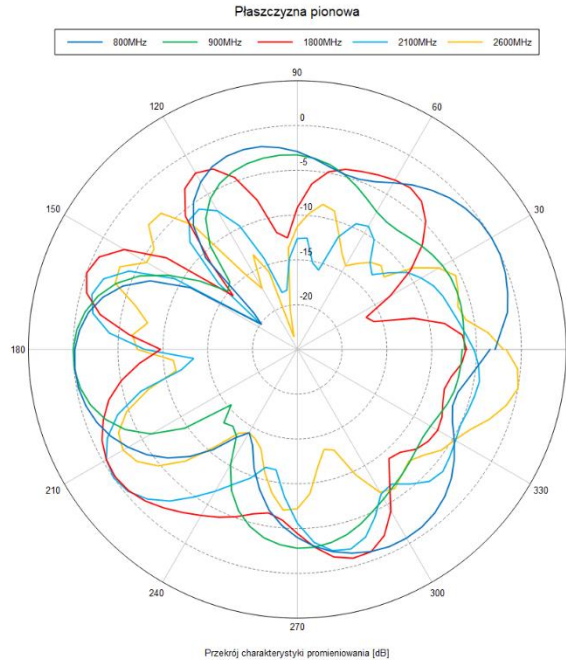


| Item | | Specifications |
|----------------------|---------------------------------|---|
| GSM Antenna | Frequency Range | 824~960MHz/1710~2690MHz |
| | VSWR | <2.0 |
| | Polarization | Linear |
| | Gain | 3.0dBi |
| | Impedance | 50Ω |
| | Operating Temperature | -40°~+85° |
| Mechanical | Cable | RG174 |
| | Length | 0.2m |
| | Connector | SMA right angle (male) |
| | Radome Material | ABS |
| | Mounting Method | Adhesive |
| Environmental | Relative Humidity | Up to 95% |
| | Ingress Protection | IP65~IP67 (exclude cable outlet) |
| | Vibration | 10 to 55Hz with 1.5mm amplitude 2hours |
| | Environmentally Friendly | ROHS Complaint |

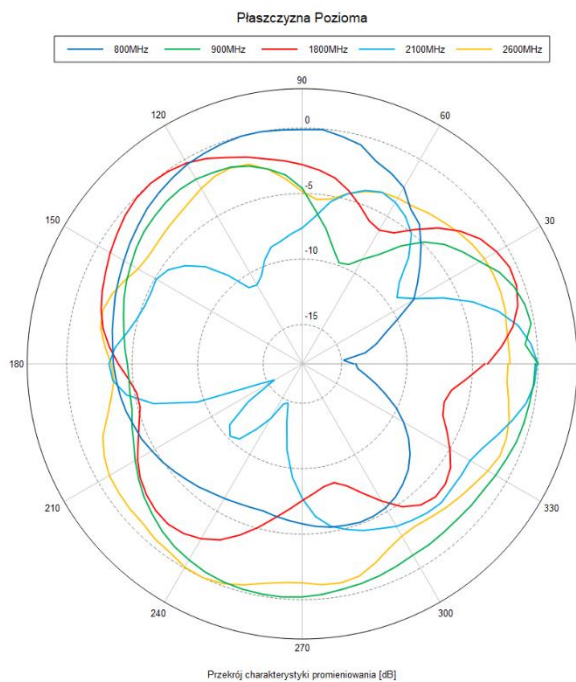


Radiation pattern

Measurement of radiation characteristics was made in an anechoic chamber Environmental Laboratory of Wireless Technologies – Gdańsk University of Technology.



Vertical plane



Horizontal plane

