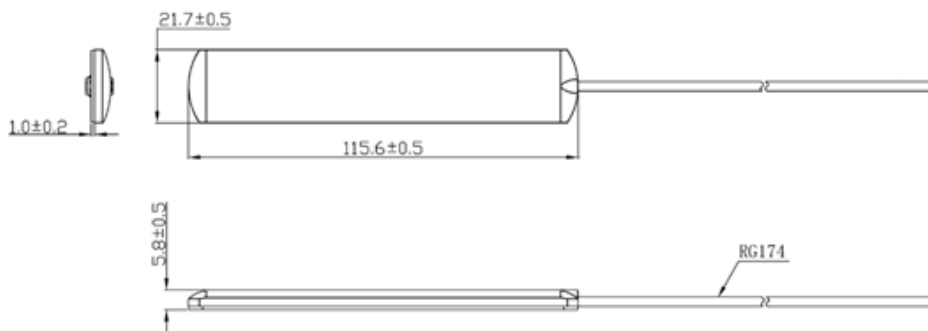


# LTE Adhesive Antenna



Unit: mm

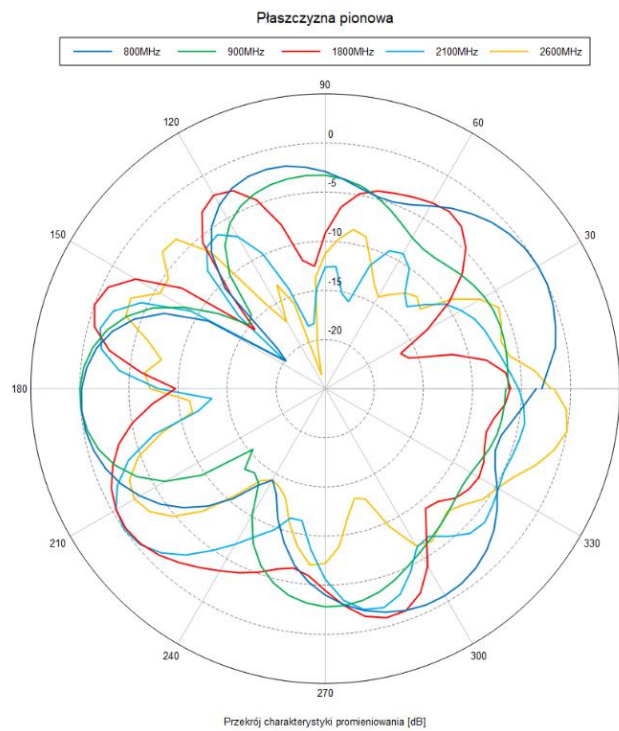


## Specification

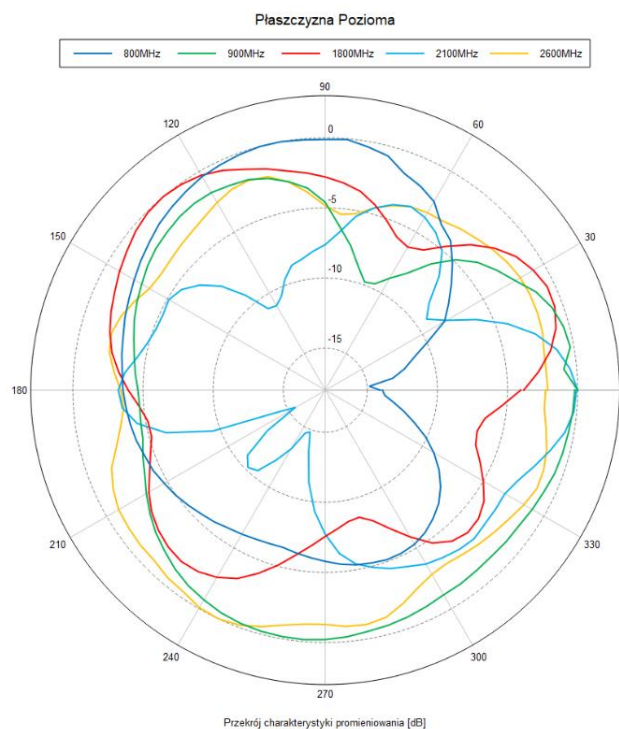
| Item                 |                               | Specification                            |
|----------------------|-------------------------------|--|
| <b>Antenna</b>       | <b>Frequency Range</b>        | 698~960/1710~2690MHz                     |
|                      | <b>Polarization</b>           | Linear                                   |
|                      | <b>Gain</b>                   | 2dBi                                     |
|                      | <b>VSWR</b>                   | <2.0                                     |
|                      | <b>Impedance</b>              | 50Ω                                      |
|                      | <b>PCB Dimension</b>          | 104.6*15*1mm                             |
| <b>Mechanical</b>    | <b>Cable</b>                  | RG174                                    |
|                      | <b>Cable Length</b>           | 300cm                                    |
|                      | <b>Connector Type</b>         | SMB(f) Straight                          |
|                      | <b>Radome Material</b>        | ABS                                      |
|                      | <b>Mounting Method</b>        | Red Adhesive                             |
| <b>Environmental</b> | <b>Operating Temperature</b>  | -40°C+85°C                               |
|                      | <b>Relative Humidity</b>      | Up to 95%                                |
|                      | <b>Vibration</b>              | 10to 55Hz with 1.5mm amplitude<br>2hours |
|                      | <b>Environmental Freindly</b> | ROHS Complaint                           |
|                      | <b>IP Rating</b>              | IP50                                     |



## Radiation pattern



Vertical Plane



Horizontal plane

