

# TETRA UHF

## GPS Combination Antenna



### GPSK-G

- Excellent performance
- Active GPS element
- Single hole fixing

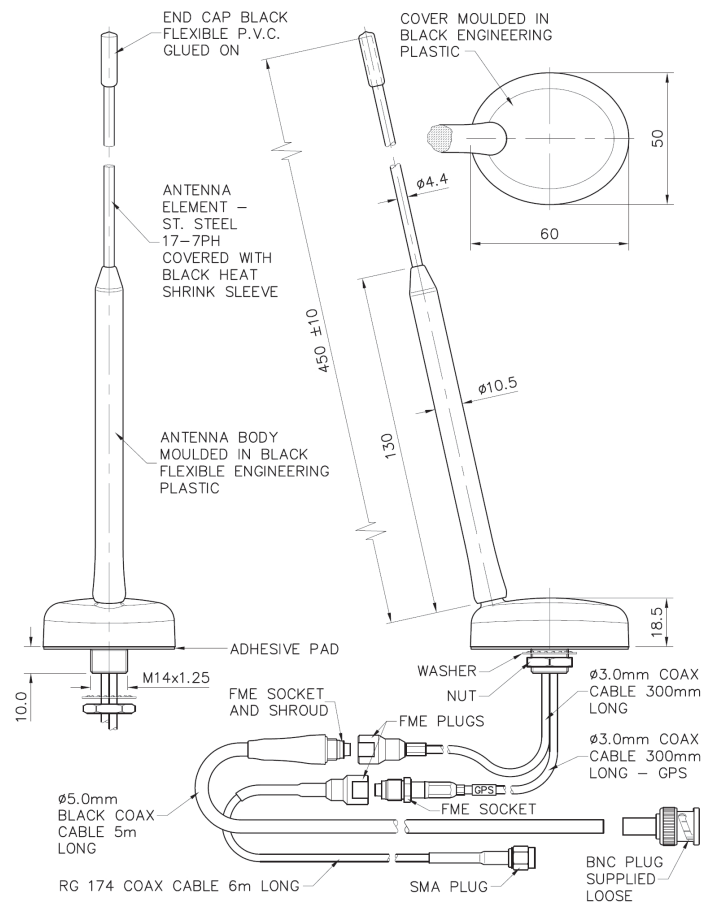
The GPSK antenna range is a dual function, high performance TETRA antenna with an active GPS element.

The GPSK-G range covers frequencies from 380MHz to 470MHz, depending on the equipment requirements. With the ability to mount on a roof up to 6mm thick using only a single 14mm hole.

The dual functionality of the Panorama GPSK range makes the antenna a popular choice for police, buses, taxi's and other public service and utility vehicles.

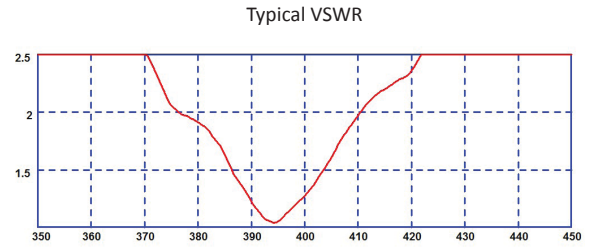
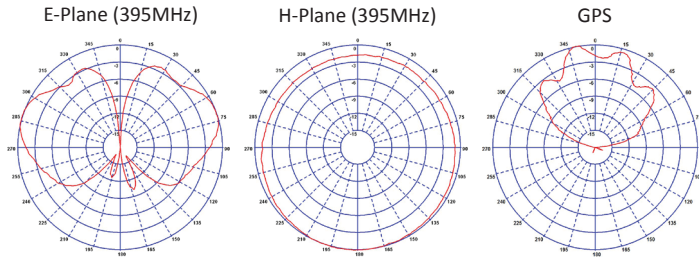
This antenna can be provided as a 'plug & play' kit for all TETRA terminals.

### Technical Drawing



# TETRA UHF

## GPS Combination Antenna



\*measured on a 1m x 1m groundplane

Part No.		GPSK-395G-MOT-SP
Electrical Data		
Frequency Range (MHz)	380-410	
Operational Band	S1+	
Gain: Isotropic	5dBi	
Compared to ¼ wave	3dB	
Polarisation	Vertical	
Pattern	Omni-directional	
Impedance	50Ω	
Max Input Power (W)	25	
GPS Data		
Frequency Range (MHz)	1575	
VSWR	<2.0:1 ± 4MHz	
Gain: LNA	26dB	
Polarisation	Right Hand Circular	
Operating Voltage	3 - 7V DC (fed via coax)	
Current	Typical 14mA	
Mechanical Data		
Dimensions (mm)	Whip Length	450
	Base Height	18.5
	Base Length	60
	Base Width	50
Operating Temp (°C)	-40° / +80°C	
Over-moulding Material	TPU & ABS	
Colour	Black	
Mounting Data		
Fixing	Panel mount	
Hole Size (mm)	15	
Cable Data		
GPS Cable	Type	RG174
	Diameter (mm)	2.8
	Length (m)	6
	Termination	SMA plug
Comms Cable	Type	CS23
	Diameter (mm)	5
	Length (m)	5
	Termination	BNC plug loose

**Panorama Antennas Ltd**

Frogmore, London, SW18 1HF, United Kingdom

T: +44 (0)20 8877 4444

F: +44 (0)20 8877 4477

E: [sales@panorama-antennas.com](mailto:sales@panorama-antennas.com)

[www.panorama-antennas.com](http://www.panorama-antennas.com)

Waiver: The data given above is indicative of the performance of the product/s under particular conditions and does not imply a guarantee of performance. These specifications are subject to change without notice.

Copyright © Panorama Antennas Ltd. All rights reserved.

**PANORAMA  ANTENNAS**