

Product Data Sheet

EFC3G

22/03/2016 V.2

Multiband Cellular

Pentaband Easyfit Antenna

- Mesh Network
- Omni Directional
- Pentaband
- ROHS Compliant
- Vehicle
- GPRS GPRS
- UMTS UMTS



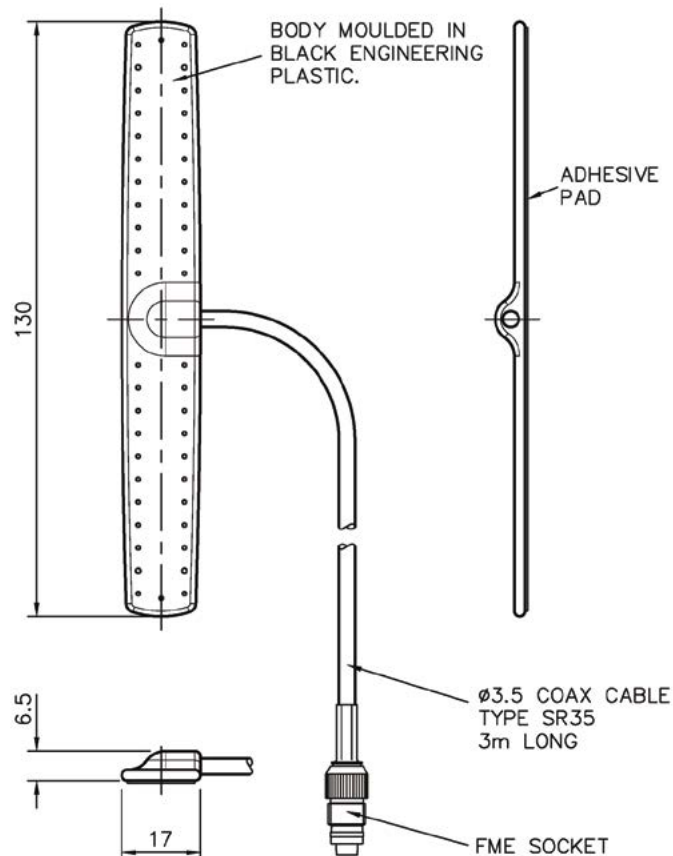
EFC3G

- Internally or externally fitted
- Simple & quick installation
- Covers 5 cellular bands

The EFC3G 'easy fit' antenna is efficient & compact.

With their secure but easy to fit adhesive pad mountings, the EFC3G antenna provides a huge range of possibilities for the installer. Whether mounted by the windscreen pillar or behind the rear view mirror the only thing the user will notice is the superb quality of their voice calls and data connection.

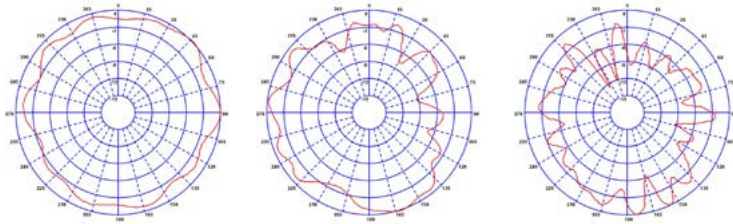
Technical Drawing



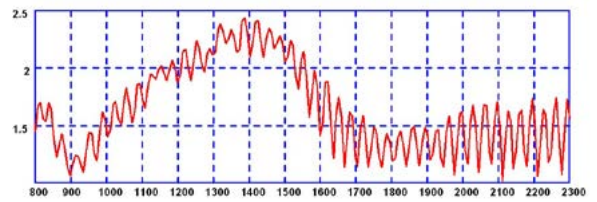
Multiband Cellular

Pentaband Easyfit Antenna

Typical H-Plane (900MHz) Typical H-Plane (1800MHz) Typical H-Plane (2000MHz)



Typical VSWR



*VSWR measured in free space with 3m (10') of RG174 cable

Part No.		EFC3G-03F	EFC3G-3F	EFC3G-3SMAP
Electrical Data				
Frequency Range (MHz)	805-960, 1710-1880, 1850-1990, 1990-2170			
Operational Band	AMPS800 / GSM850, GSM900, GSM1800, PCS1900, 3G UMTS			
VSWR	Tx ≤ 1.5:1, Rx ≤ 2.0:1			
Gain: Isotropic	2dBi			
Compared to ¼ wave	0dB			
Pattern	Omni-directional			
Polarisation	Vertical			
Impedance	50Ω			
Max Input Power (W)	20			
Mechanical Data				
Dimensions (mm)	Height	130		
	Width	17		
	Thickness	2.5		
Operating Temp (°C)	-40° / +80°C			
Material	Engineering Plastic			
Colour	Black			
Mounting Data				
Fixing	Adhesive pad			
Material	Acrylic adhesive pad			
Colour	Black			
Cable Data				
Type	SR35			
Thickness (mm)	3.5			
Length (m)	0.3			
Termination	FME socket	FME Female	SMA Male	

Panorama Antennas Ltd
Frogmore, London, SW18 1HF, United Kingdom

T: +44 (0)20 8877 4444
F: +44 (0)20 8877 4477

E: sales@panorama-antennas.com
www.panorama-antennas.com

PANORAMA  ANTENNAS

Waiver: The data given above is indicative of the performance of the product/s under particular conditions and does not imply a guarantee of performance. These specifications are subject to change without notice.

Copyright © Panorama Antennas Ltd. All rights reserved.