

Installation Instructions

SiSo Ceiling Antenna

CMSLP-038-4

SW3-823 - v2

1. Introduction

The CMSLP-038-4 is a UHF/3G/4G and 3.4-3.8GHz 5G ceiling mount antenna designed to be low profile and un-obtrusive. The antenna can be mounted to non-conductive panels using the supplied nut and mounting screws. If required the antenna can also be mounted to a vertical surface such as a wall or room divider. The antenna has low PIM characteristics and is supplied with low PIM cable and a variety of connectors.

2. Mounting requirements and selecting location



The antenna should be mounted on non-metallic / non-conductive panels. Mounting on a metal surface will have a detrimental affect on performance.

The antenna should normally be placed in a flat, horizontal orientation with the cable exit at the top. It is also possible to mount the antenna on a wall or room divider in a vertical orientation with the cable exit at the side. When ceiling mounted, the antenna should be mounted centrally within the desired coverage area and when mounted vertically to a wall or divider, the antenna should be deployed facing in the desired direction of coverage.

The antenna should be spaced as far away from any nearby metal structure as possible. Ensure that there is access and adequate clearance behind the panel and that the coaxial cable can be routed to the equipment.

Ensure that the selected mounting location can safely be accessed using the equipment that is available.

3. Antenna Mounting

Where the antenna will be fitted on a lift out ceiling panel, it may be preferable to remove it and mount the antenna on the panel whilst working at ground level.

Mark the position for the centre fixing and make a clearance hole for the relevant connector. In the case of an N female connector this will be 18mm (3/4") and in the case of a 4.3-10 female connector it should be 24mm (1"). Drill a pilot hole first and then increase to the required size.

If using the optional additional screw fixings mark the position of the mounting holes (the antenna can be used as a template) & drill. Plastic M6 screws are supplied but if mounting to an appropriate material self tapping screws can be used. Screws should be M6 or 1/4 inch pan head screws of an appropriate length for the installation. Using metal screws may negatively impact low PIM performance.

Remove the supplied nut and mount the antenna being careful not to kink or damage the cable. Refit the nut and tighten. Tighten any screw fixings, but note that over-tightening may damage the antenna cover.

3. Routing and terminating coaxial cables(s)

The cable must be routed up or out and directly away from the antenna and should not run parallel to or lie flat on the antenna. Run the cable to the wireless terminal, ensuring that the cable is secured and protected from subsequent damage during access. The cable should not be kinked and the minimum bend radius of 32mm (1.25") must be observed.

If cable ties are used, they should not be overtightened, as this will distort the cable profile and could affect the antenna performance. Any excess cable should be laid "side by side" (not coiled) and can be loosely secured by cable ties or tape.

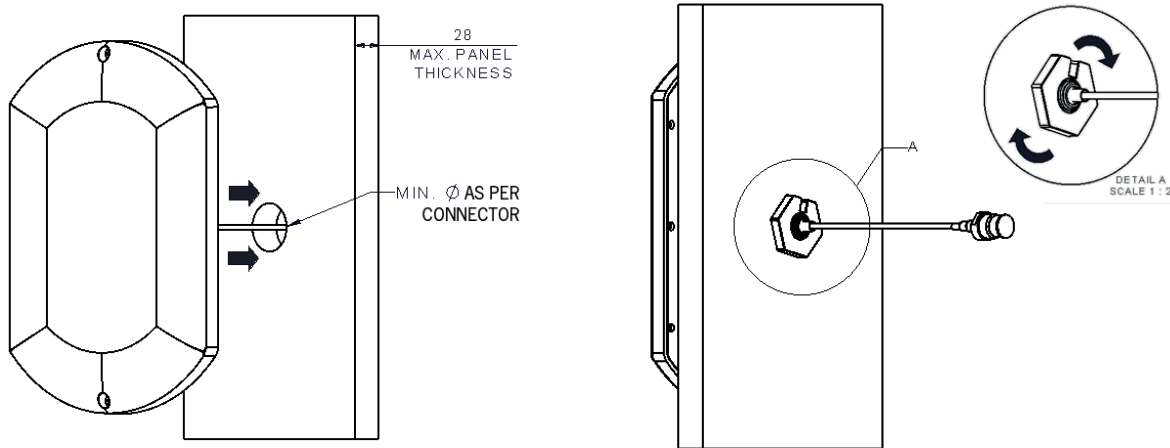
Connectors should be cleaned with air or a soft brush and then tightened to the correct torque which is 1Nm for the N type or a maximum of 5Nm for 4.3-10 connectors.

4. Commission and test

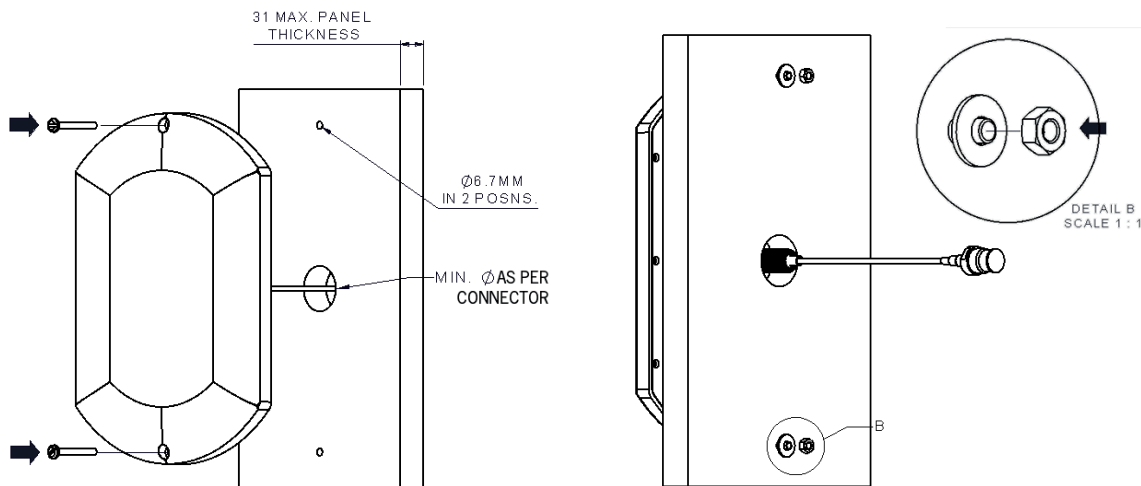
Check the comms cables:

- Carry out VSWR check, the VSWR should measure <2.5:1 in transmit band.
- Connect the cable to the radio device
- Check the system PIM level if necessary

5. Mounting using central bush



5. Mounting with screw fixings



5. Notices



DO NOT

- operate the transmitter when someone is within 20cm (8") of the antenna.
- operate the equipment in an explosive atmosphere.
- attempt to install the antennas without the proper safe equipment to access the install location.
- chew parts or put them in mouth, keep away from unsupervised children. Dispose of parts as WEEE waste do not send to landfill.



European Waste Electronic Equipment Directive 2002/96/EC

Waste electrical products should not be disposed of with household waste. All electronic products with the WEEE logo must be collected and sent to approved operators for safe disposal or recycling. Please recycle where facilities exist. Many electrical/electronic equipment retailers facilitate "Distributor Take-Back scheme" for household WEEE. Check with your Local Authority or electronic retailers for designated collection facilities where WEEE can be disposed of for free.



Directive 2015/863/EU (RoHS 3)

RoHS 2 compliance is declared per Directive 2015/863/EU and its subsequent amendments with exemption 6.c applied

REACH (Registration, Evaluation, Authorisation and Restriction of Chemicals, EC 1907/2006)

This product contains Lead (CAS No. 7439-92-1) which is classified as an SVHC (Substance of Very High Concern) as being toxic to reproduction under Article 57c. of REACH. Do not chew parts or put them in mouth, keep away from unsupervised children. Dispose of parts as WEEE waste do not send to landfill.